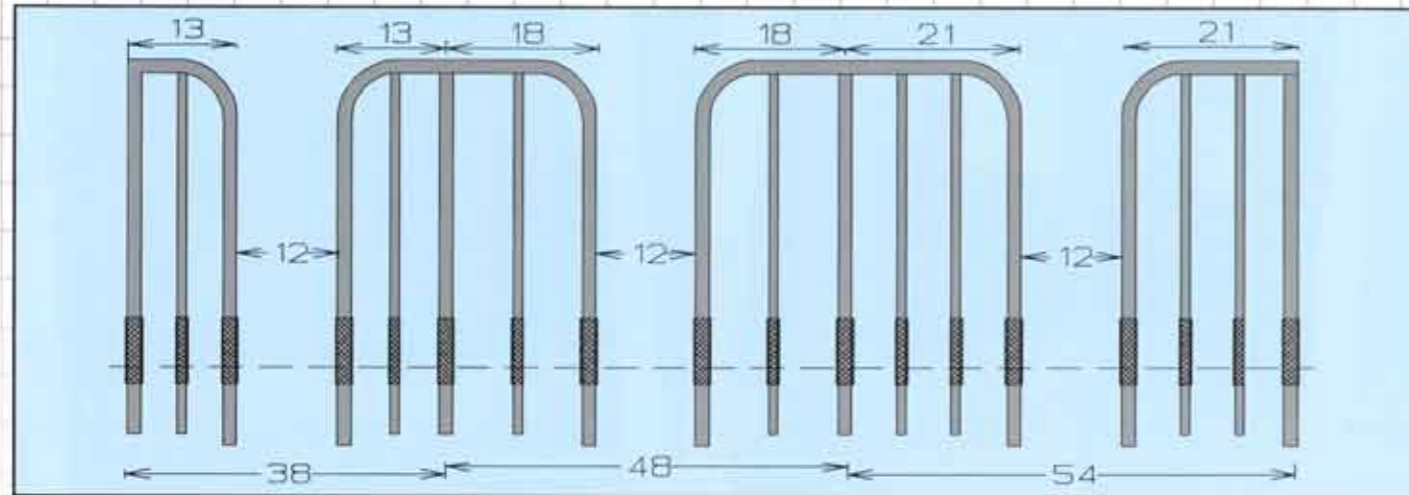


MERRILL CUSTOM MANUFACTURES TIE STALLS TO FIT YOUR BARN

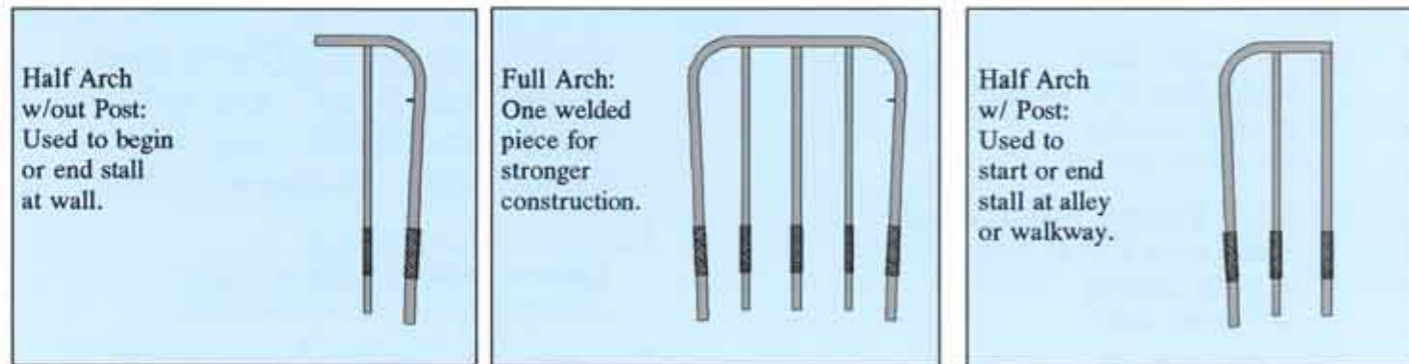
1. Determine Stall Width

Merrill will mix & match stall widths to custom fit your barn

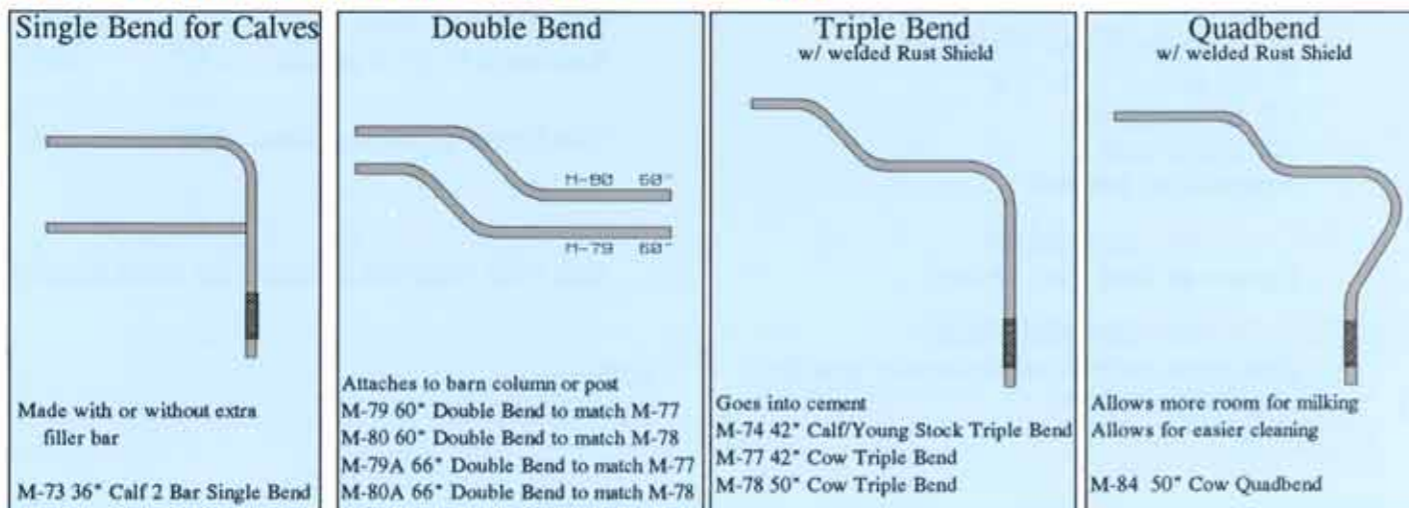


2. Select Arch Type

Choose from square (above) or bent-over-square (below)



3. Determine Partition Style & Length

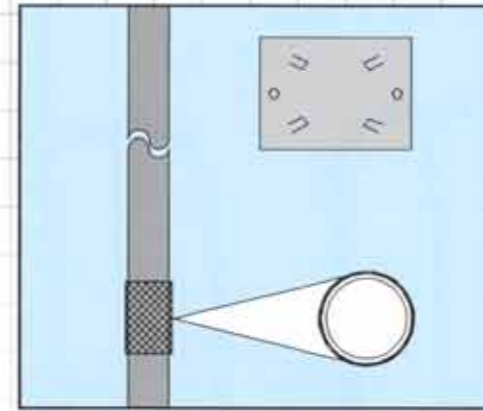


4. Decide on Columns/Posts (if necessary)

Columns range from 1-5/8" to 4" OD and from 5' to 10' long

We recommend all posts set in concrete to have double rust shield

(please specify length of rust shield and height of bottom of rust shield from bottom of post, so 2"-3" of RS is in concrete)



M-81	62" Drilled stall post w/welded RS	
M-82	44" Stall post w/welded RS	
M-765	1-5/8"x5' Pen Post w/welded RS	
M-766	1-5/8"x6' Pen Post w/welded RS	
M-768	1-5/8"x8' Pen Post w/welded RS	
M-7610	1-5/8"x10' Pen Post w/welded RS	
M-50	3"x5' Post w/welded RS	
M-60	3"x6' Post w/welded RS	
M-70A	4"x7' Barn Column	4" Column Needs One
M-70B	4"x7-1/2' Barn Column	6" Rust Shield or
M-70C	4"x8' Barn Column	8" Rust Shield or
M-70D	4"x10' Barn Column	12" Rust Shield
M-70	6"x8" Post Plate	

5. Pick Clamps

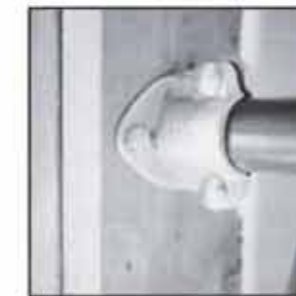
Necessary to join partition to arch and double bend to column



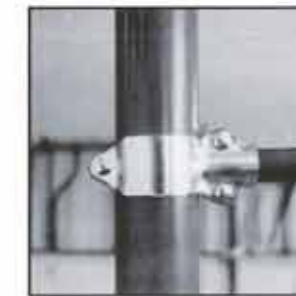
#25 3-bolt T-clamp
Attaches partition to arch
BELOW top of arch



#28 Corner Clamp
Attaches partition to arch
AT top of arch



#26 Flange Clamp
Attaches partition to wood post
May choose from cast or steel



#27 Post Clamp
Attaches partition to column
Sizes: 27A - 3", 27B - 3-1/2",
27C - 4", 27D - 4-1/2"

6. Choose Arch Tie Chain and Neck Strap

Finish off your MERRILL tie stall with a heavy duty nylon neck strap & tie chain



Push-in Tie Chain
M-17 Calf Arch Tie Chain w/ push-in snap
M-87 Cow Arch Tie Chain w/ push-in snap

Pull-out Tie Chain
M-17-0 Calf Arch Tie Chain w/ pull-out snap
M-87-0 Cow Arch Tie Chain w/ pull-out snap



M-85A Neck Strap
Made of heavy nylon
Comes with buckle



M-86 Neck Chain
Comes with split ring