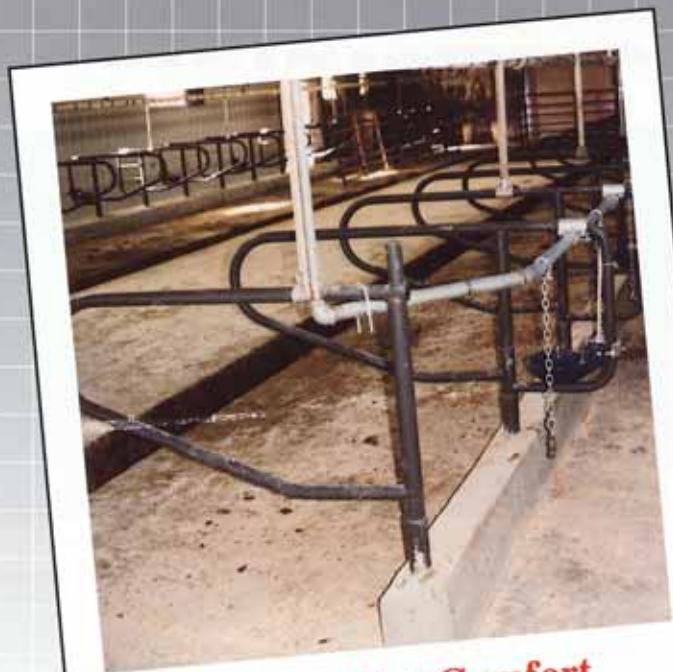


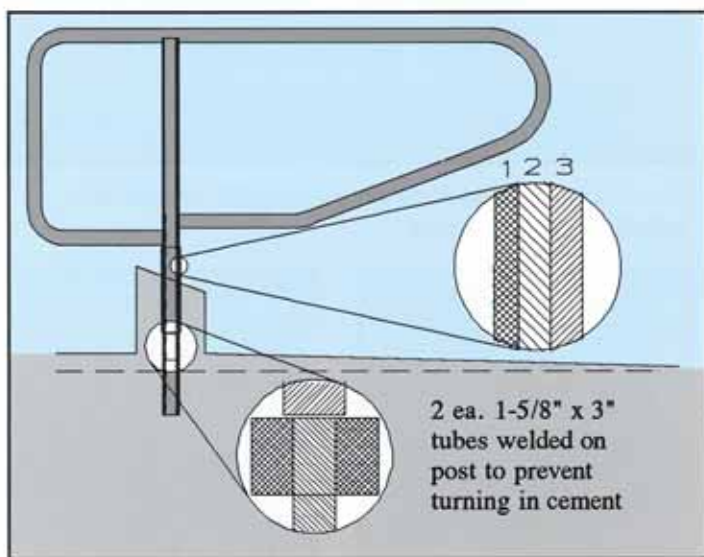
INTRODUCING MERRILL'S "IOWA" COMFORT STALL



Designed for Comfort
By Dairypeople & Their Bosses



Engineered For Durability
By Merrill Equipment



- Layer 1:** 1-5/8" x 10 ga. high carbon, Hot Rolled rail type steel
- Layer 2:** 2" x 8 ga. steel
- Layer 3:** 2-3/8" Schedule 40 galv. rust shield

Proven long lasting Elyria steel

Loop & inside tube of post

Tensile: Min. 75,000 Avg. 90,000

Yield: Min. 50,000 Avg. 70,000

Carbon: 35% Manganese: 1.35%

Special heat treated

Designed for stronger welds

Triple thickness post

1-5/8" 10 ga. tubing inside 2" 8 ga. tubing

Welded top & bottom for stronger, more torque resistant leg

2-3/8" Sch. 40 galv. tubing welded top & bottom

Eliminates flex point at cement line

Thickest concrete entry on the market

Three in One Curb Mount

Eliminates rear stall platform obstruction

Allows for easier cleaning & bedding of cattle

**Seen the Rust:
Buy the Best!**

Sold
By: