



#19M Loop Free Stall with Sand



#19B Loop Free Stall with Tires



#19 1-legged Free Stall



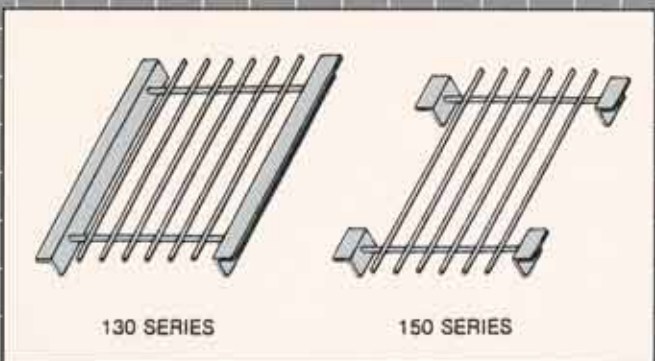
#19A 2-legged Free Stall



Corral Gates & Penning



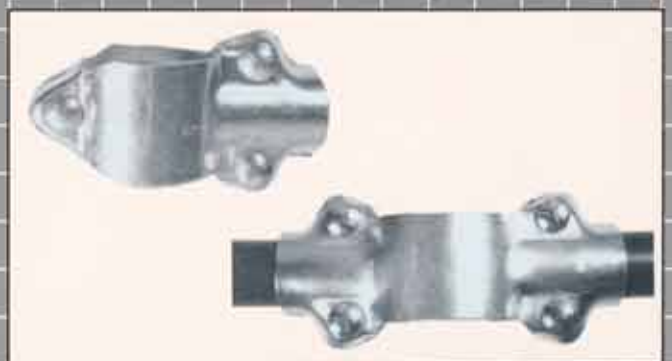
Slant Feed Throughs



130 SERIES

150 SERIES

Gutter Grates



Clamps & Accessories

MERRILL EQUIPMENT CO., 2209 Sturdevant St., Merrill, WI 54452
(715) 536-2471 phone Hours: M-F 7:00 a.m. - 4:00 p.m. (715) 536-2472 fax